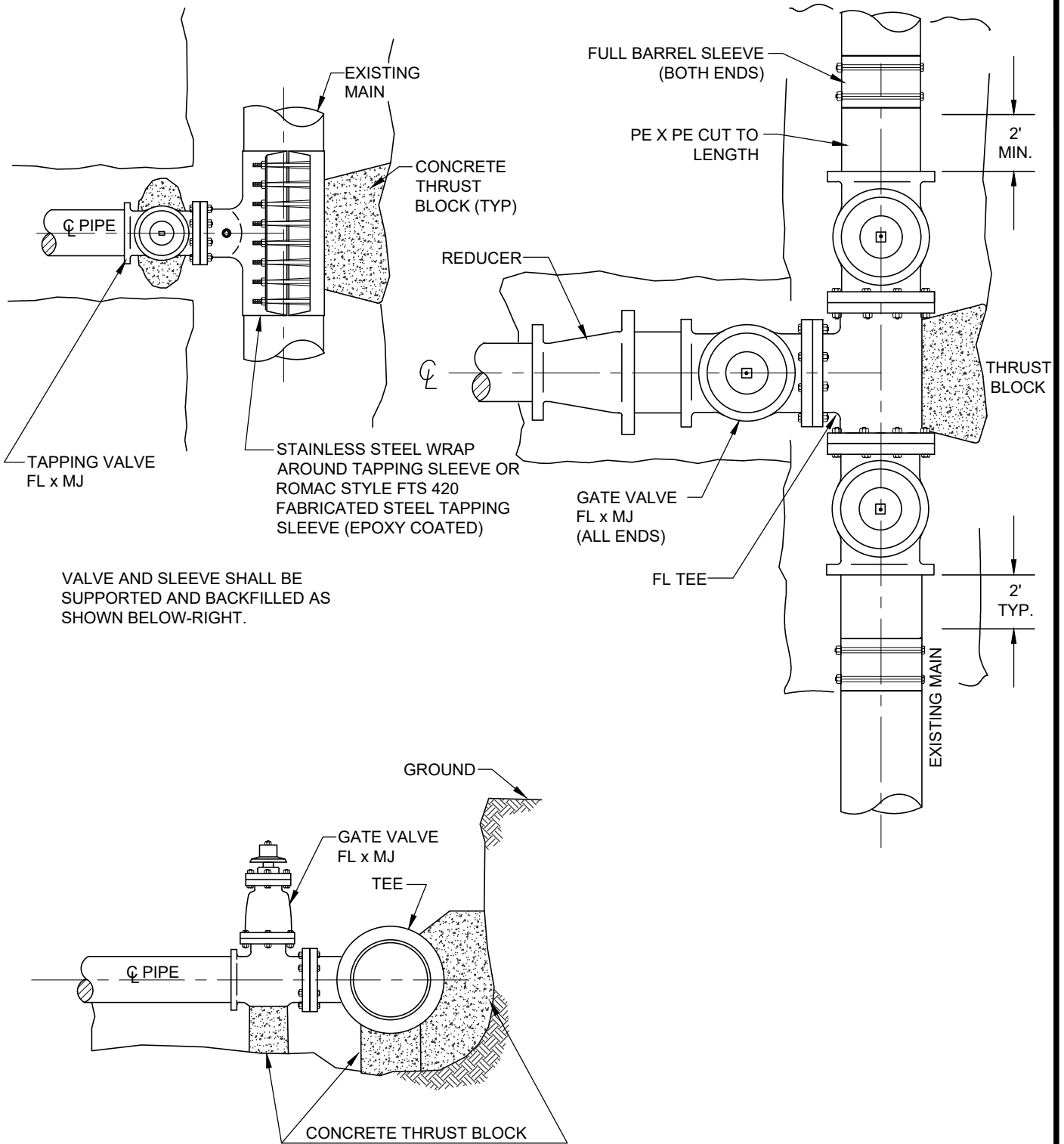


LIVE TAP

CUT-IN TEE



VALVE AND SLEEVE SHALL BE SUPPORTED AND BACKFILLED AS SHOWN BELOW-RIGHT.

NOTES:

1. 11 MIL PLASTIC OR CONSTRUCTION FABRIC SHALL BE WRAPPED AROUND PIPE AND FITTINGS BEFORE THRUST BLOCKS ARE POURED.
2. SUPPORT VALVE AND SLEEVE CONTINUOUSLY THROUGH INSTALLATION.
3. THRUST BLOCKS MAY BE PRECAST IF APPROVED.

N.T.S.



CONNECTION TO EXISTING WATER MAIN

CITY OF KELSO
DEPARTMENT OF
COMMUNITY DEVELOPMENT
& ENGINEERING

CITY ENGINEER APPROVAL: Michael Kardas, P.E.

x *[Signature]*

STANDARD PLAN NO.

KW-130-21

DATE:

MAY 2021